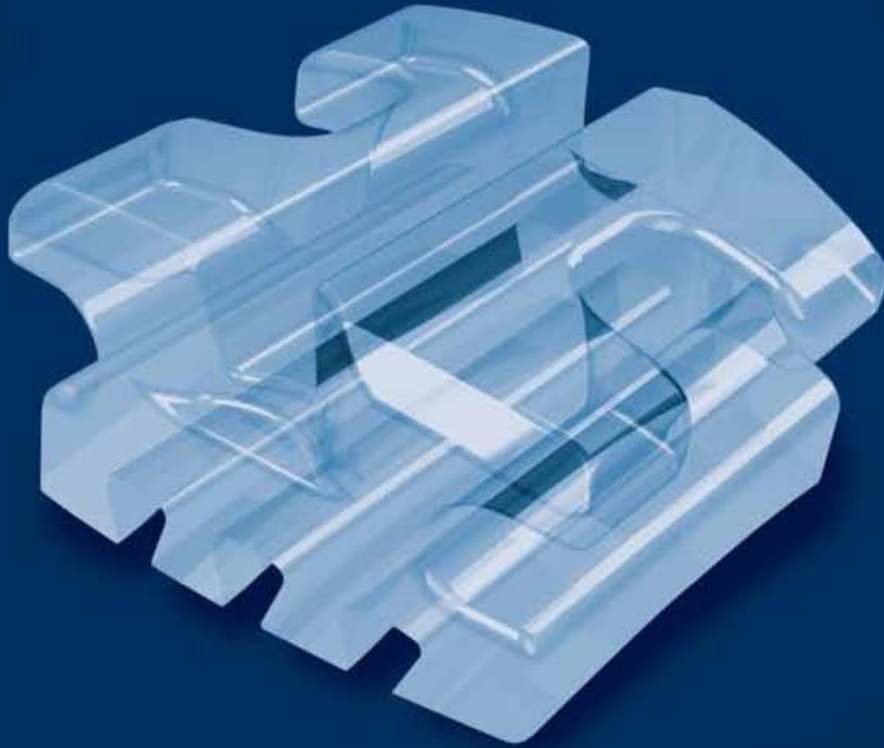


*An unprecedented development in
advanced aesthetic brackets*



POLY SAPPHIRE[®]



CDB
CERAMIC DENTAL BRACKETS

If you are looking for the future in cutting-edge aesthetic bracket innovation, look no further than PolySapphire®.

This state-of-the-art technology takes a revolutionary leap forward to bring together unparalleled performance with the ultimate invisibility you never thought possible. Setting new standards in orthodontic brackets, the design possibilities permitted by PolySapphire® allow for the highest level of quality results, patient comfort and the most dazzling aesthetics.

PolySapphire®—a category all its own.

POLYSAPPHIRE®

Made in the USA

Expect everything. See nothing.

PolySapphire® is the clear choice in aesthetic orthodontic brackets. With its superior strength, brilliant aesthetics, and virtually limitless design possibilities, PolySapphire® provides remarkable advantages over conventional sapphire and ceramic brackets available today. Simply put, it's the ultimate combination of aesthetics and performance.

Brilliant Aesthetics

Similar to conventional sapphire brackets, PolySapphire® properties provide a dazzling aesthetic appearance. Not only does the natural color of the tooth penetrate through (rendering the bracket virtually invisible), PolySapphire® eliminates the unsightly glare commonly seen with many of today's aesthetic brackets.



PolySapphire® Conventional Sapphire

Enhanced Patient Comfort

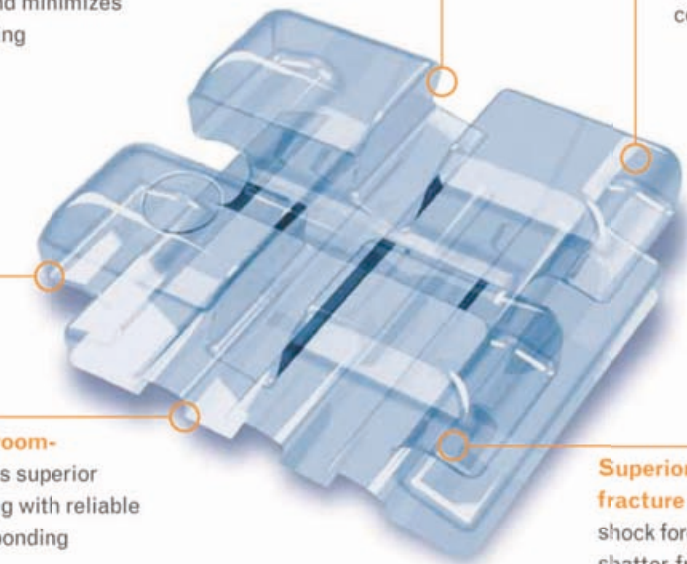
PolySapphire® allows for smaller bracket construction and lower, smoother profiles, minimizing soft tissue contact and delivering the greatest comfort possible for patients. Rest assured, patients stay looking great thanks to the resilient, highly polished surface that functions as a protective barrier against the toughest staining elements. With PolySapphire®, even the most self-conscious, tight-lipped patients will feel confident to show off their winning smile and have the self-assurance to *keep on smiling.*

Premier Performance

Smooth, rounded archslot reduces friction and minimizes binding and notching

Tie wing undercuts and downdraft for easy and secure ligation

Advanced mushroom-style base delivers superior mechanical bonding with reliable and consistent debonding

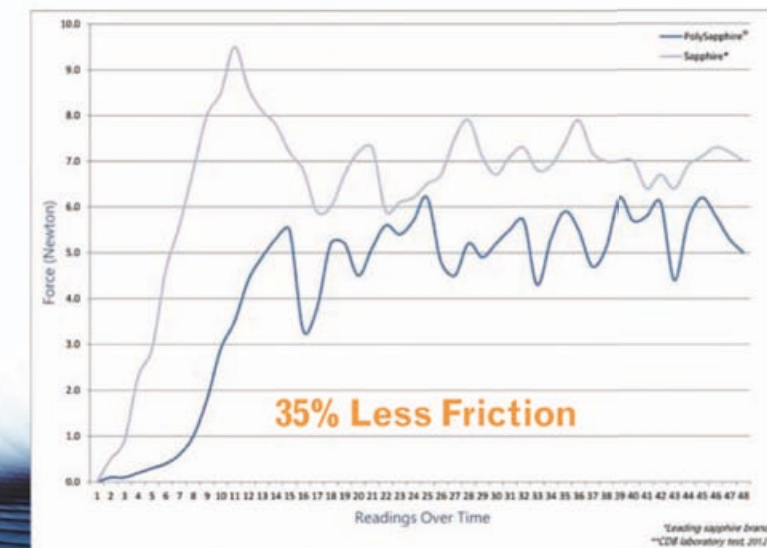


Smooth, rounded surface provides exceptional patient comfort and stain resistance

Superior flexural strength and fracture toughness ensure mechanical shock forgiveness and optimized, shatter-free debonding

Reduced Treatment Time

PolySapphire® brackets experience significantly less friction—35% less than conventional sapphire brackets. Less friction optimizes the movement of teeth and shortens the overall patient treatment time.





2304 Mercantile Drive, Leland, NC 28451, USA
PHONE: 910 383 6464, FAX: 888 280 1556 www.cdbcorp.net

©2019 CDB Corp.